



389 MAXWELL CRESCENT  
Regina, SK S4N 5X9  
www.rmiseng.ca  
Phone 306.352.4606  
Fax 306.352.4607



LIVING PRAIRIE  
MUSEUM  
C.13.SK.35-18.03.03

2795 NESS AVENUE  
WINNIPEG, MB R3J 3S4

CITY OF WINNIPEG

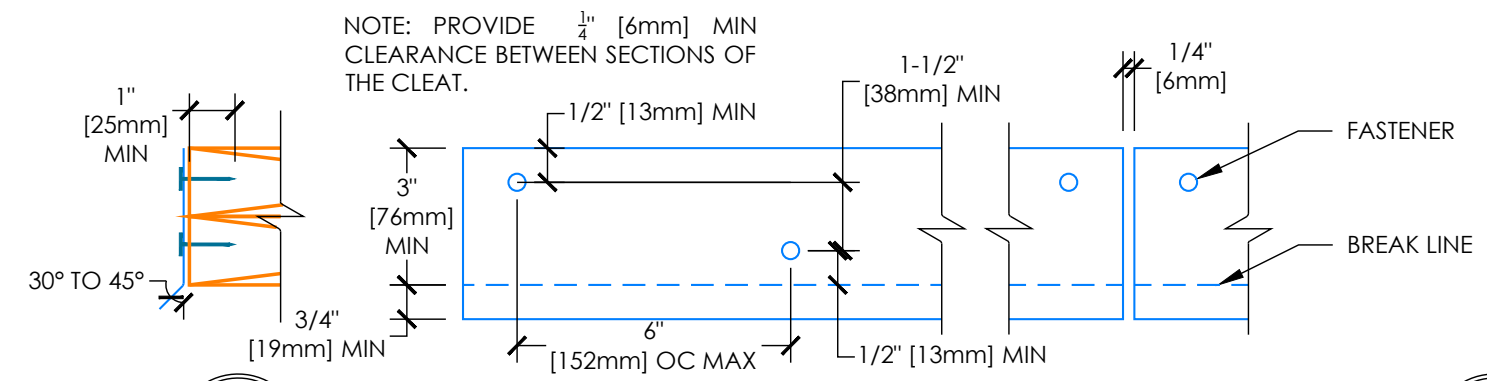
4TH FLOOR - 135 KING STREET  
WINNIPEG, MB R3B 1J1

No.	DATE	DESCRIPTION

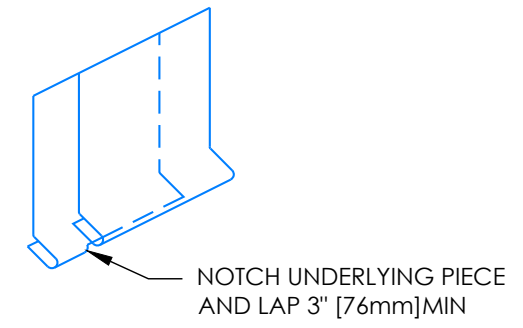
DESIGNED BY SMC 04/18/2018  
DRAWN BY SED 04/18/2018  
REVIEWED BY SMC 04/18/2018

METAL  
DETAILS

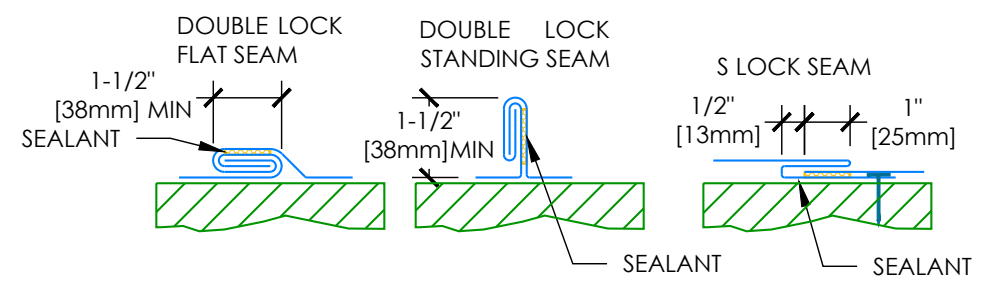
A 5.05



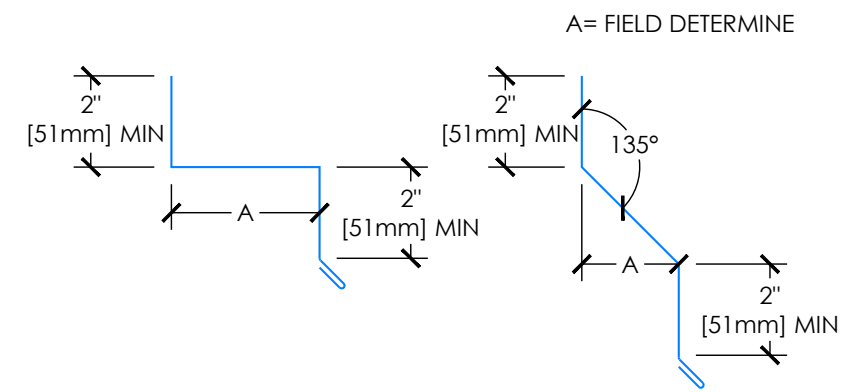
**1** CONTINUOUS CLEAT  
NTS



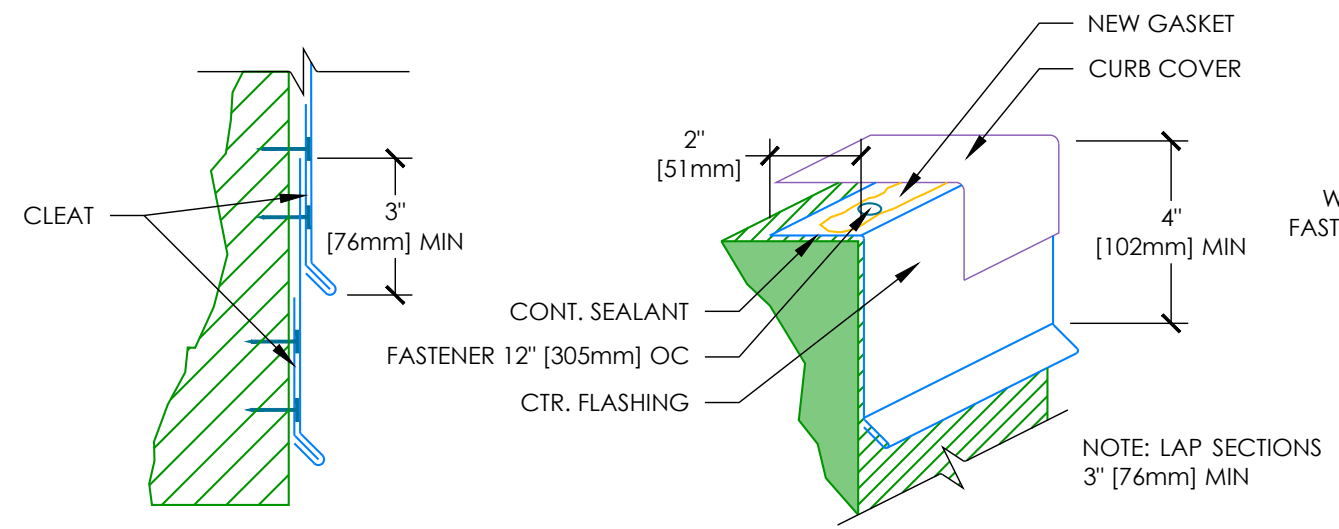
**2** LAP WITH DRIP EDGE  
NTS



**3** SEAM DETAILS  
NTS

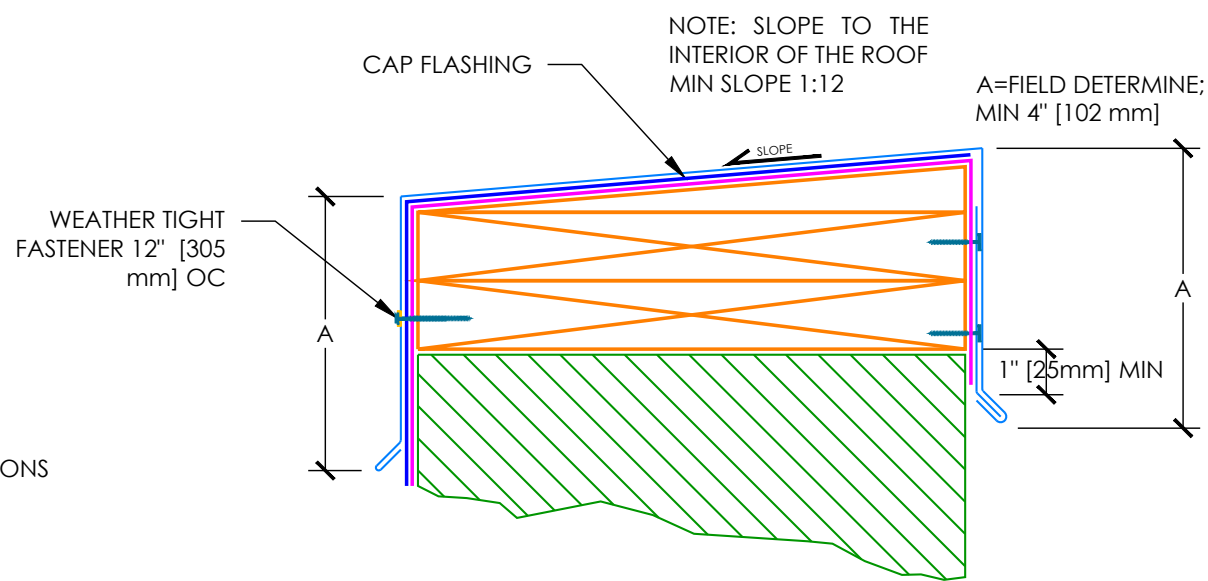


**4** RECEIVER DETAILS  
NTS



**5** FASCIA EXT.  
NTS

**6** CURB CTR. FLASHING  
NTS



**7** COPING CAP  
NTS